

250P/IS/500 XL Exhaust ventilation pipe

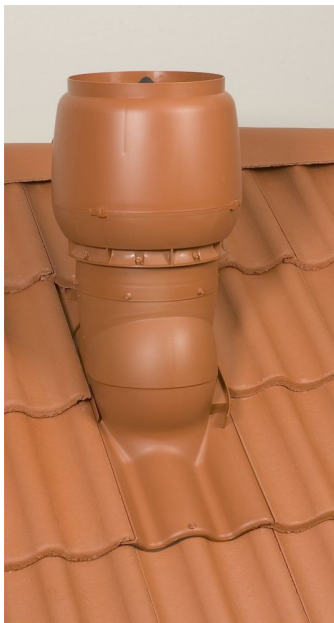


Usage: Insulated exhaust ventilation XL pipe with a cowl. Inner pipe is made of galvanized steel and has a lip seal. A VILPE® XL pass-through according to the roofing material is required separately.

Dimensions: Duct size Ø 250 mm, external Ø 300 mm, height above roof approx. 500 mm.

Contents: Exhaust ventilation pipe, cowl, screws.

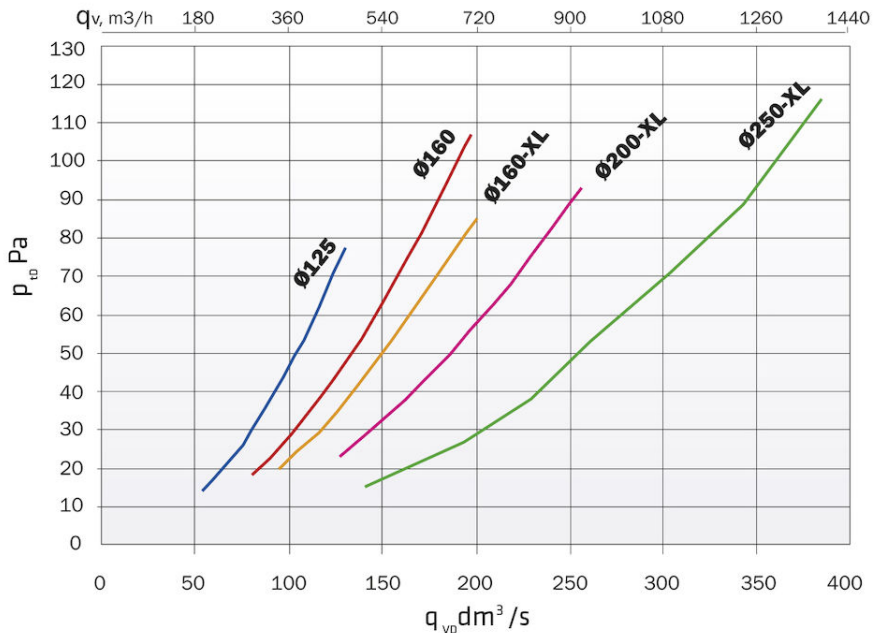
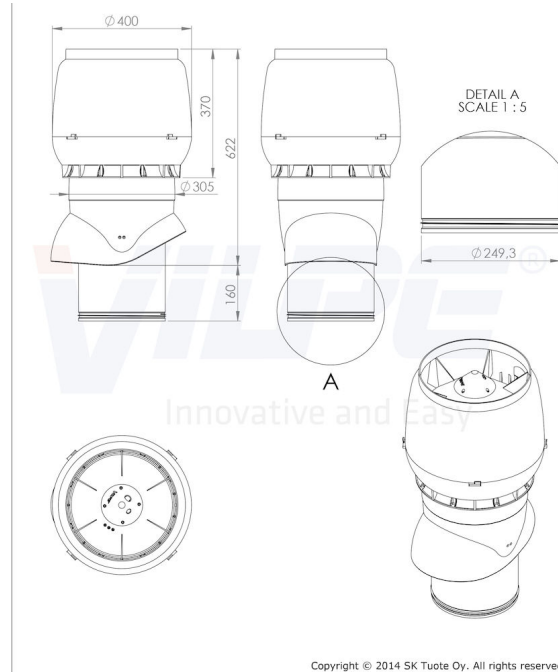
The P-series roof fans and exhaust ventilation pipes can be led watertightly with a pass-through set through a roof. VILPE® pass-through sets can be installed on any roofs with the most common pitches (less than 50 degrees). The pass-through set is always selected according to the roofing material of the roof. All the roof fans and exhaust ventilation pipes in the P-series are compatible with all pass-through set types. Using P-series XL roof fans and XL exhaust ventilation pipes requires an XL pass-through.



Color	Brown
EAN Code	6410457417643
Product code	741764
Color Code RR	RR32
Delivery	Stock
Gross weight	6.9500
Net Weight	5.5272

Duct size	250
Materials	expanded polystyrene, galvanized sheet steel , polypropene plastic (PP)
Package includes	cowl, fixing screws

250P/IS/500 XL Exhaust ventilation pipe



VILPE.COM

SK Tuote Oy
Kauppatie 9, FI-65610 Mustasaari
Telephone +358 20 123 3200

Sales & Technical Support | FI +358 20 123 3233 | EN +358 20 123 3222 | RU +358 20 123 3290 | SE +46 70 511 2020 | PL +48 71 740 2623
myynti@sktuote.fi | sales@sktuote.fi

Page: 2
08.06.2017

250P/IS/500 XL Exhaust ventilation pipe

